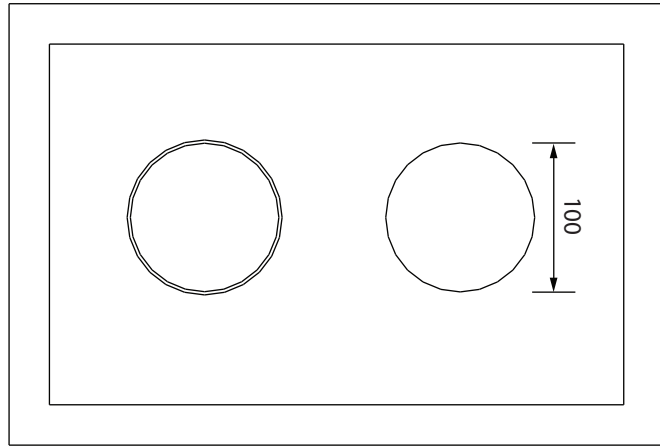
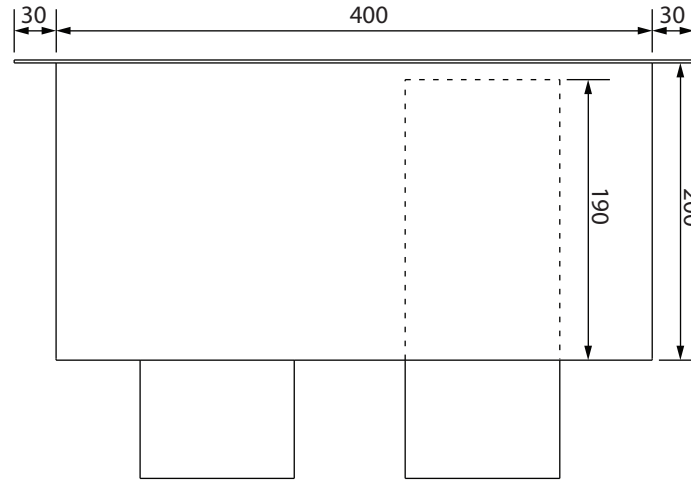


THIS DRAWING IS INDICATIVE ONLY AND BY NO MEANS COMPREHENSIVE

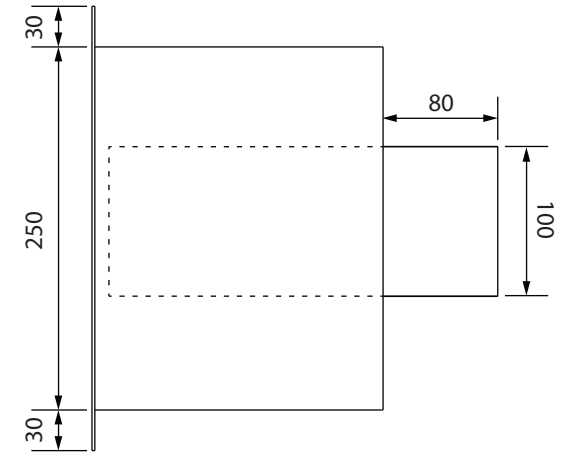
FRONT



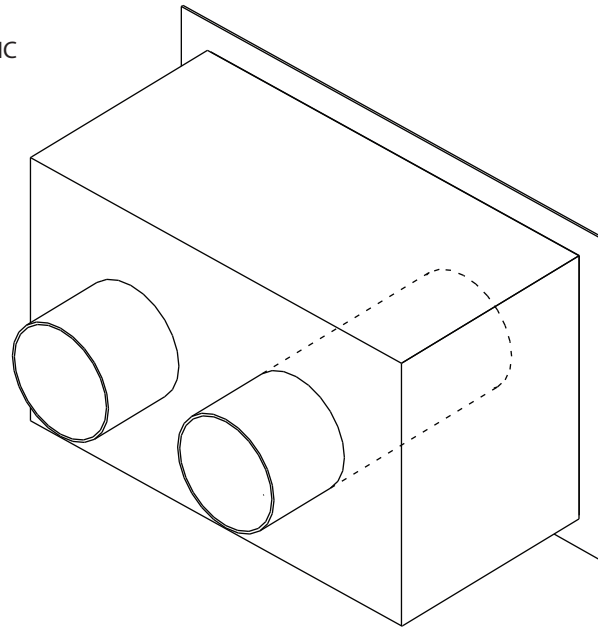
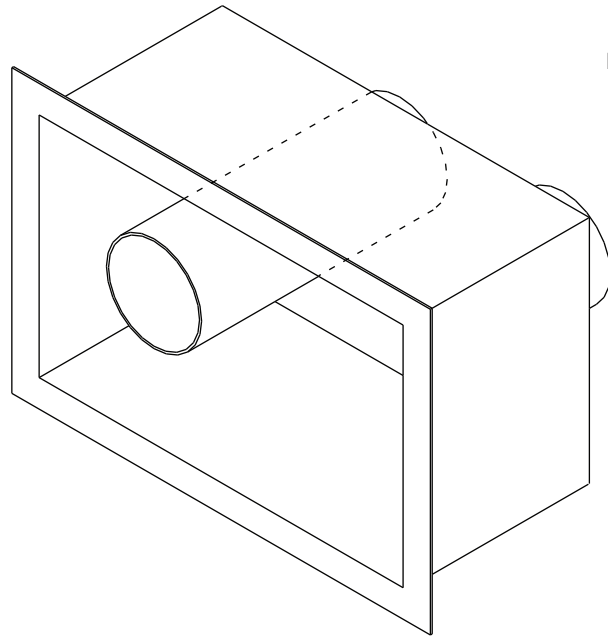
TOP



RIGHT



ISOMETRIC



PEALUSUMP100

- 400.250.200mm

SUMP

100mm ROUND OUTLET
& OVERFLOW