



Tiling Our Decks

Tile decking - made easy.

- Creates a level deck surface
- Strong and stable - load tested
- Easy to replace tiles
- Durable
- Warranted
- Easy access to waterproofing membrane below
- Void accommodates services which can be placed under deck surface
- Acoustic sound barrier
- Windproof
- Level indoor-outdoor flow

www.nurajack.co.nz





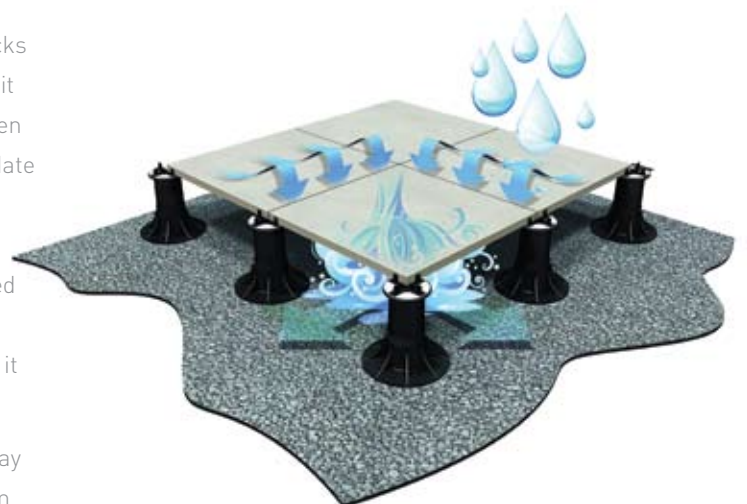
With Nurajacks, tiling over membrane decks has never been easier. Jobs that were once time-consuming and complicated now run smoothly with efficiency and ease. Our patented system means you can trust that your tiled deck will be level and will meet Building Code and Council Standards.

Tiles and decking should be removable to allow access to the waterproofing membrane below the surface. Your ultimate solution to achieve this is using Nurajacks and Nurapads.

Nurajacks are height adjustable. They allow the tiles or decking to be raised up to the level of the interior living space. This creates a level threshold with optimum indoor-outdoor flow.

Laying a floor or deck with Nurajacks is easy. The Nurajacks rest on top of the waterproofing membrane and the tiles sit on the self-levelling head of the Nurajack. The void between the decking and the membrane can be used to accommodate pipes and other services. The Nurajack system does not use grout or adhesives. When it rains the water flows between the tiles, onto the membrane and then unimpeded onto drainage. The Nurajack system thus protects the membrane from foot traffic and harsh UV sunlight so that it can keep your home dry.

Adding the Nurajack SE Acoustic Pad is a cost-effective way to enhance the acoustic reduction properties of the system.





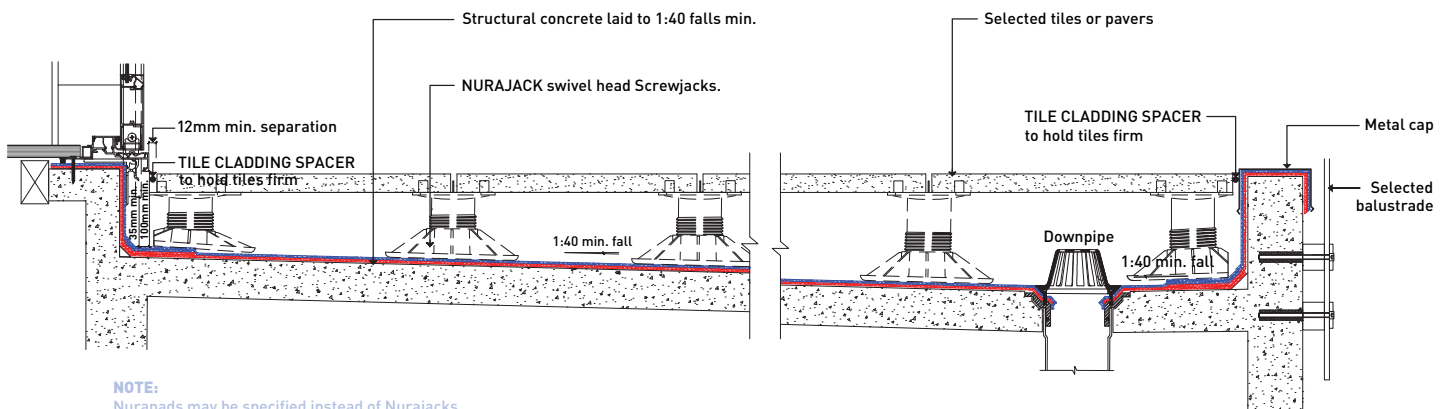
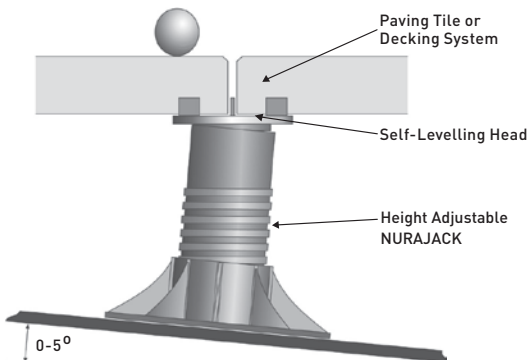
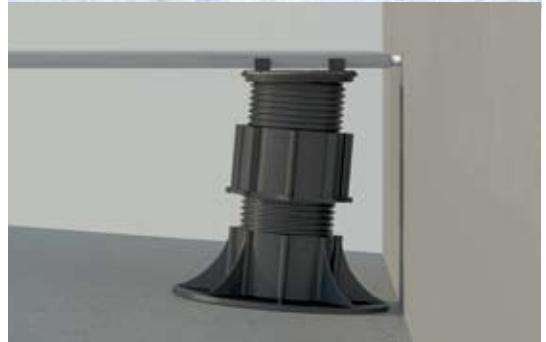
The ultimate floor & deck pedestal solution

NURAJACKS MAKE IT EASY FOR ALL YOUR EXTERIOR DECKING REQUIREMENTS



Unique Features & Benefits

- Large Base** - Nurajack's large 330m² base spreads the deck load over the wide base and withstands loads up to 1000kg each. This ensures stability of the deck and maintains the integrity of the waterproof membrane
- Height-Adjustment Feature** - The height of the Nurajacks can be adjusted from above through use of our Adjustment Key. There is no lifting of tiles to adjust the jacks. This means that the installer can complete the installation with perfect accuracy without the need to remove the tiles
- Self-Levelling Heads** - The patented self-levelling heads make it easy to create a level deck and a flush indoor-outdoor aesthetic. With Nurajacks there is no longer a need to place ad-hoc shims under the base of the jacks - a time-consuming practice that has the potential to damage the waterproofing membrane through point-loading
- Ease of Access to Underlying Membrane** - Tiles are removable so membranes and gutters are easily accessible
- Acoustics** - Nurajack SE Acoustic Pads are available to minimise the noise transference to lower levels
- Building Code** - Meets Building Code requirements for floated decks over membranes
- Council Standards** - Meets council requirements for removable decking over membrane decks
- Quality Design** - European-designed and manufactured to the highest standards in quality
- 20 Year GUARANTEE**

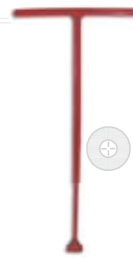




NURAPAD

Nurapad

The Nurapad is a 12mm thick disc suitable for installing tiles that follow the fall of the membrane. We recommend adding a 2mm Nurapad Shim to each Nurapad. This gives the installer the ability to make minor adjustments if the substrate is uneven. The 2mm Nurapad Shim can be replaced with a 1mm Nurapad Shim or 3mm Nurapad shim or a combination of the 3 different sized Nurapad Shims.



ADJUSTMENT KEY

Adjustment Key

Nurajacks can be adjusted by the Nurajack Adjustment Key even without the tiles being uplifted. The Nurajack Adjustment Key simply slips between the tiles and into a slot in the top of the Nurajack or Nurajack Star.T and when turned the Nurajack will adjust up and down. The Nurajack Adjustment Key speeds up installation and is ideal for minor adjustments. If installing heavy stone or concrete pavers, one or two pavers may need to be lifted before adjusting the Nurajack.



STAR.T
8-15mm

Nurajack Star.T

The smallest Nurajack is the Nurajack Star.T. Starting at a height of 8mm, the Nurajack Star.T can be adjusted up to 15mm. The Nurajack Star.T is leveled using a Nurajack Shim (available in 1mm, 2mm or 3mm). It may be that the installer is satisfied with the tiles following the fall of the membrane, in which case no levelling of the Nurajack Star.T is required.



SILENT ACOUSTIC PAD

Nurajack SE Acoustic Pads

Footfall noise on any deck area can be minimised through using the Nurajack SE Acoustic Pad. The Nurajack SE Acoustic Pad is a self-adhesive disc that adheres to the base of the Nurajack. It will provide a Nurajack SE3 with a total of 25dB (IIC:25) reduction in acoustic transference noise.



STAR.B
0-5mm

Nurajack Star.B

The Nurajack Star.B is a 5mm base for the Nurajack Star.T. The Nurajack Star.B bases can be stacked under the Nurajack Star.T up to 3 high, giving the Nurajack Star.T and Star.B combination an adjustable size of between 8mm to 30mm.



NURAJACK SE WINDPROOF

Nurajack SE Windproof

In some extreme situations, tiles may need to be affixed to the Nurajack. The Nurajack SE Windproof is a pedestal especially designed for areas in direct exposure to high winds. When parapets and balustrades do not provide enough protection, the Nurajack SE Windproof pedestal provides the solution.



SHIM 1,2,3.

Shim

The Nurapad Shim is designed for use with the Nurapad and Nurajack. The Shim can be used to accommodate any variance in thickness of pavers or tiles. They can also be used to level a Nurapad or Nurajack Star.T if necessary.



NURAJACK VERTICAL CLIP

Nurajack Vertical Clip

The Nurajack Vertical Clip will hold 20mm tiles in place vertically under a leading edge of a Nurajack. This is sometimes required when the edge of a deck is exposed or the underside of the deck can be seen through a glass balustrade.



TILE CLADDING SPACER

Tile Cladding Spacer

Under the building code a space must be maintained between the installed tiles and the wall, cladding, joinery or balustrade. Nuralite's Tile Cladding Spacers are a self-adhesive rubber bumper available in 5mm, 10mm and 14mm sizes and maintain the space required. Each Tile Cladding Spacer is slightly compressible and needs to be compressed in place during installation.



NURAJACK HEAD LOCKER

Nurajack Head Locker

When installing smaller cut tiles adjacent to full tiles, it may be necessary to lock the self-leveling head to stop excessive movement. The Nurajack Head Locker is designed to clip into place and lock the Nurajack's self-leveling head.

Technical Information & Installation Requirements

Warranty

Nurajacks are covered by a full 20 Year Warranty.

Specify Nuraply 3P waterproofing membrane with Nurajacks

For a high-performance, fully warranted system, specify Nuraply 3P waterproofing membrane with Nurajacks to support tiles, pavers or decking. Nuralite offers a 20-year material performance warranty on all products installed as part of the complete system.

System Compatibility is important

If you are intending to install Nurajacks over an alternative waterproofing system please check with the supplier beforehand to ensure all products on the deck are compatible.

Structural Tiles are a Must

A structural tile or paver must be used with the Nurajack system. Before purchasing your tile or paver check that it is strong enough to carry foot traffic weight when supported by Nurajacks. You will need to get the supplier to warrant it will work with the Nurajack system. It is the tile/paving supplier's responsibility to specify the quality of Nurajacks required to support each tile/paver.

Loading

Nurajacks are made from high-density polypropylene injection moulding. Their strength is demonstrated by their ability to take a maximum loading of 1000kg per Nurajack. If heavy loads are anticipated this must be considered when specifying and designing the waterproofing system. Be aware that the Nurajack system is not designed to support moving vehicles such as cars or window cleaners.

Prior to Installation

The waterproofing membrane must be clean and clear of foreign objects before installing Nurajacks.



More information including installation videos
and quantity calculators are available at
www.nurajack.co.nz



PROUDLY DISTRIBUTED BY:



NURALITE WATERPROOFING LTD

53A Victoria Street, Onehunga, Auckland 1061, New Zealand

P 09 579 2046 F 09 579 5136 E info@nuralite.co.nz

www.nuralite.co.nz